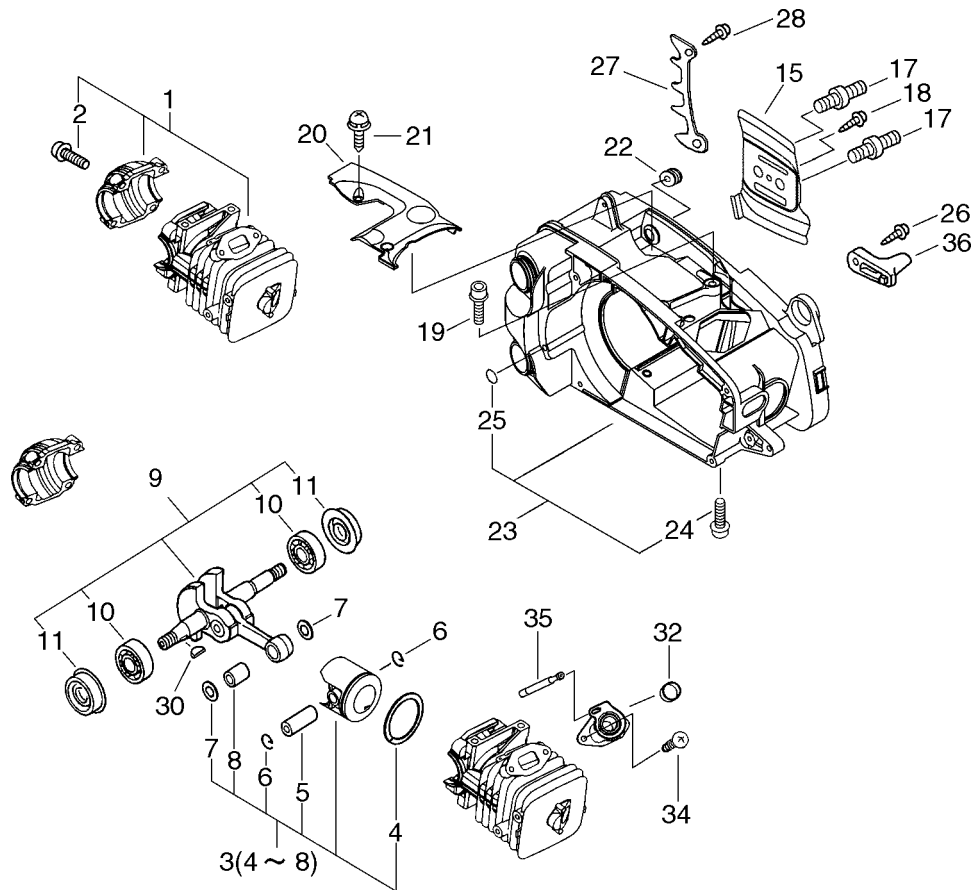




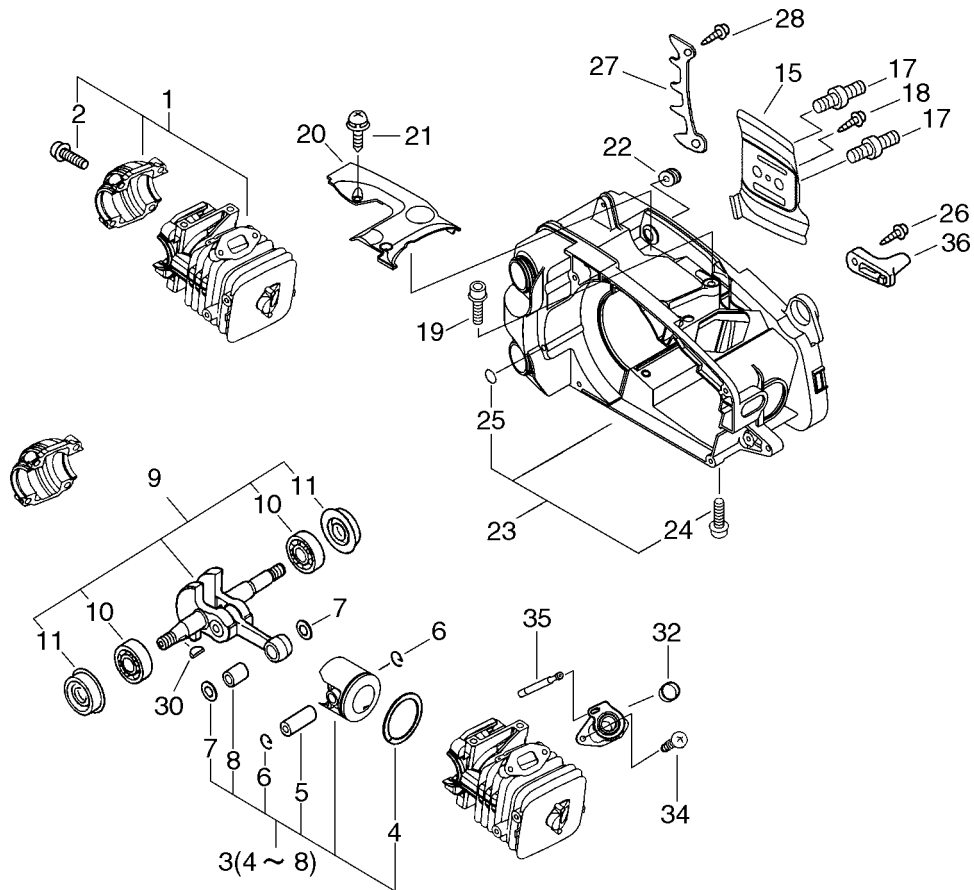
# **PARTS CATALOGUE**

**CHAIN SAW**

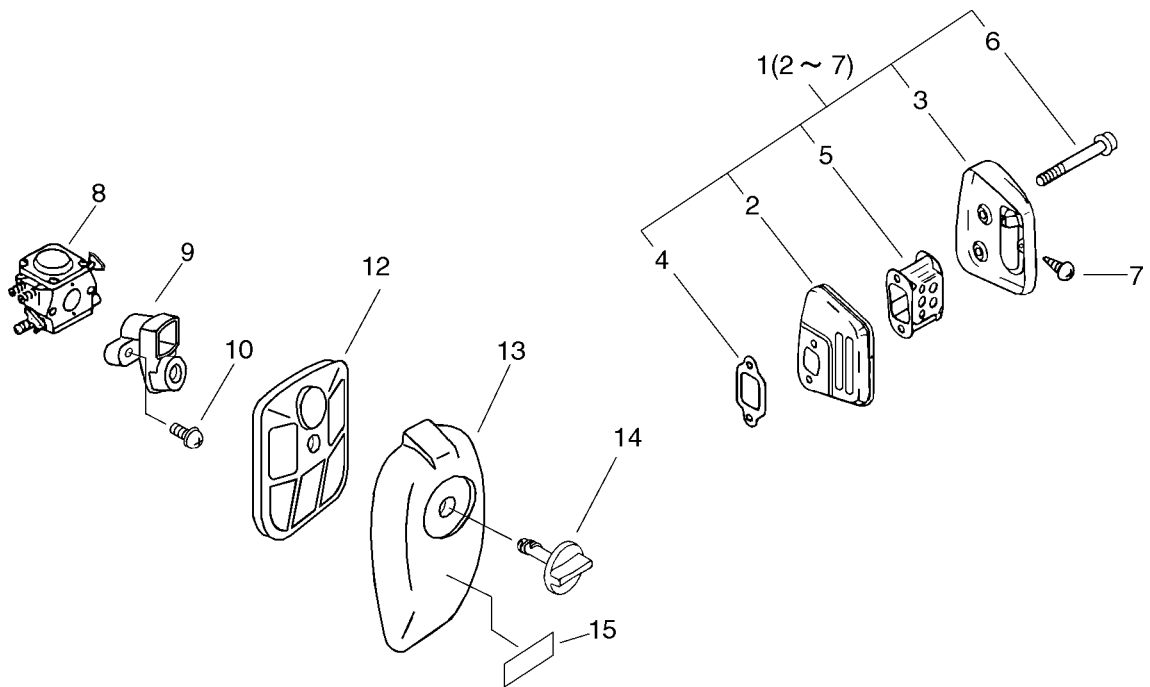
**CS-350TES**



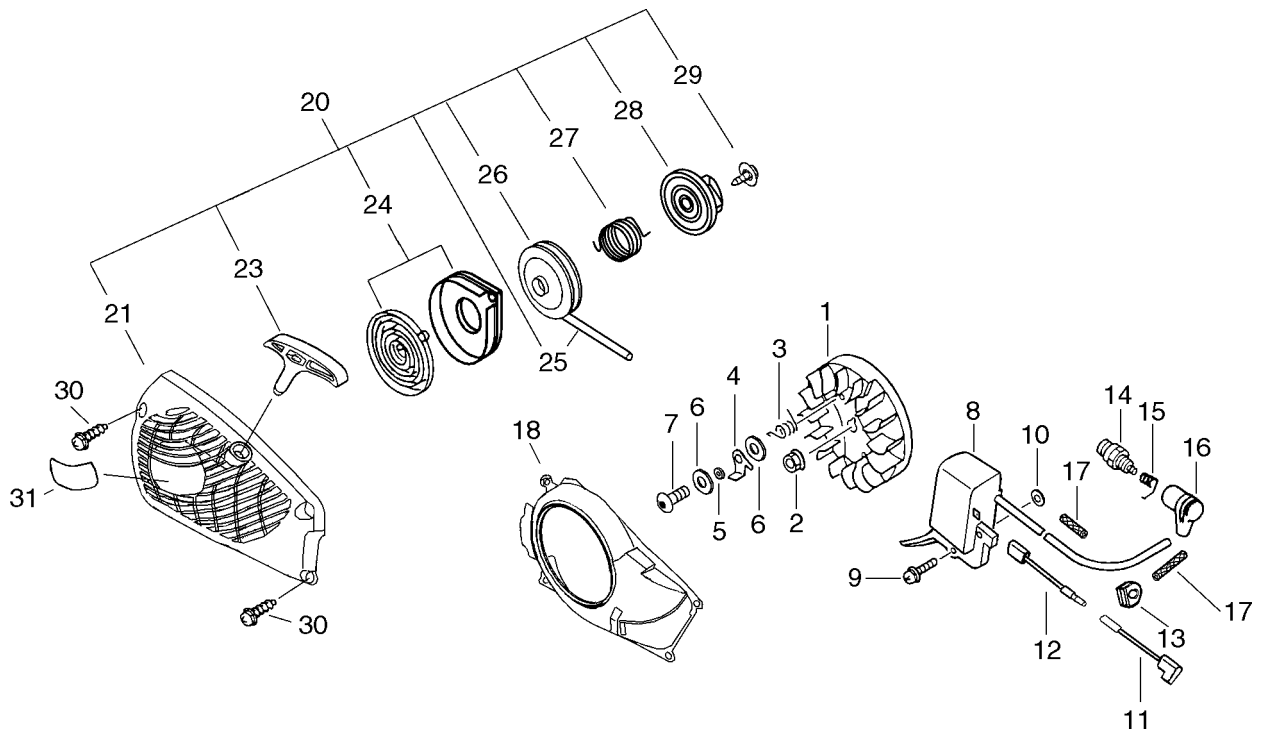
KEY	LV	PART NUMBER	Q'TY	DESCRIPTION	REMARKS
1		P021-009250	1	CRANKCASE SET	
2	+	900162-05025	4	BOLT, H.S. 5*25	
3		P021-009230	1	PISTON KIT	
4	+	A101-000120	1	RING,PISTON	
5	+	100013-15330	1	PIN, PISTON	
6	+	100015-04630	2	CIRCLIP, PISTON PIN	
7	+	100014-60930	2	SPACER, PISTON PIN	
8	+	V553-000040	1	BEARING,NEEDLE 8	
9		P021-010701	1	CRANKSHAFT ASY	
10	+	94035-36201	2	BEARING BALL	
11	+	V505-000010	2	SEAL,OIL 12	
15		C305-000080	1	PLATE, SPROCKET GUARD	
17		433011-03931	2	STUD, GUIDE BAR	
18		900253-04010	1	SCREW 4*10	
19		900106-05020	2	BOLT, H.S. 5*20	
20		A127-000050	1	COVER,DUST	
21		900253-04012	2	SCREW	
22		163911-30130	1	PLUG	
23		P021-008676	1	COVER,ENGINE KIT	
24	+	900106-05030	2	BOLT, H.S.H. 5*30	
25	+	900724-00004	1	O-RING (S-4)	
26		900253-05020	1	SCREW 5*20	
27		C304-000000	1	SPIKE	
28		900253-05020	1	SCREW 5*20	



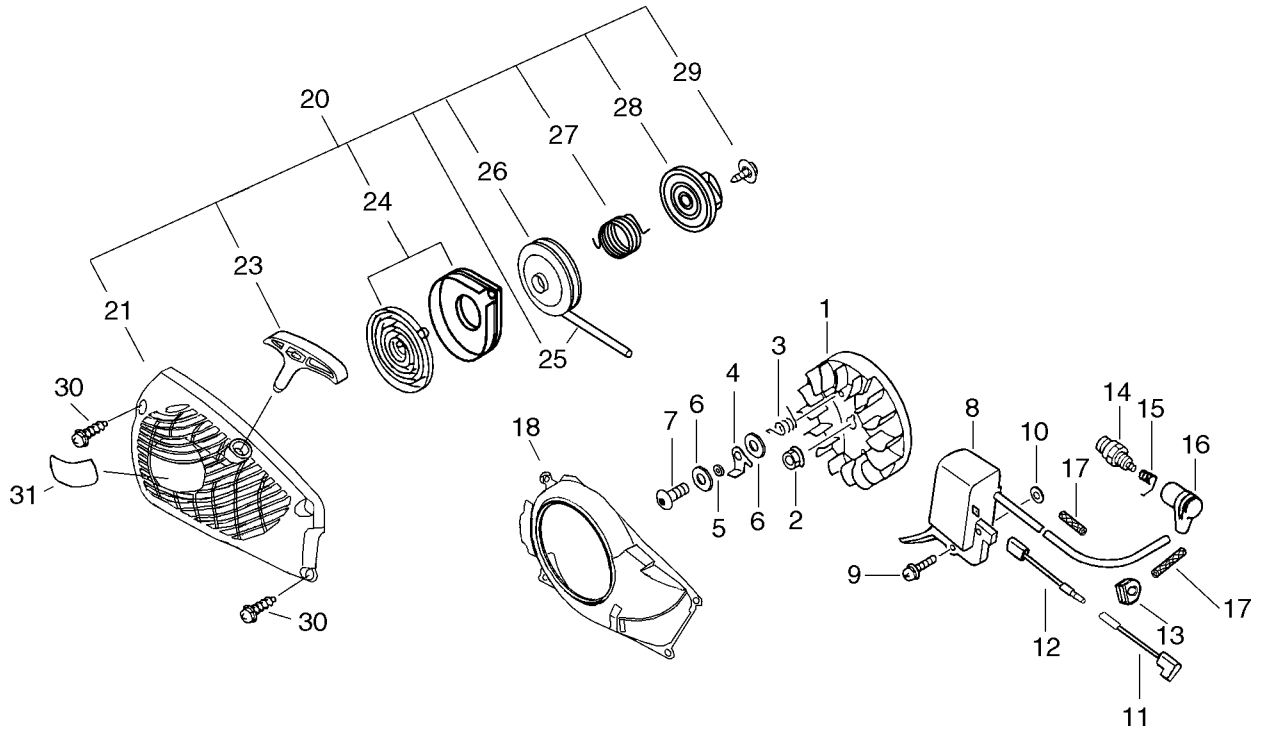
KEY	LV	PART NUMBER	Q'TY	DESCRIPTION	REMARKS
30		100142-12330	1	KEY, WOODRUFF	
32	+	V359-000060	1	COLLAR, 16	
34		91420-05012	2	SCREW	
35		V470-000481	1	PIPE	
36		433026-35430	1	CATCHER, CHAIN	



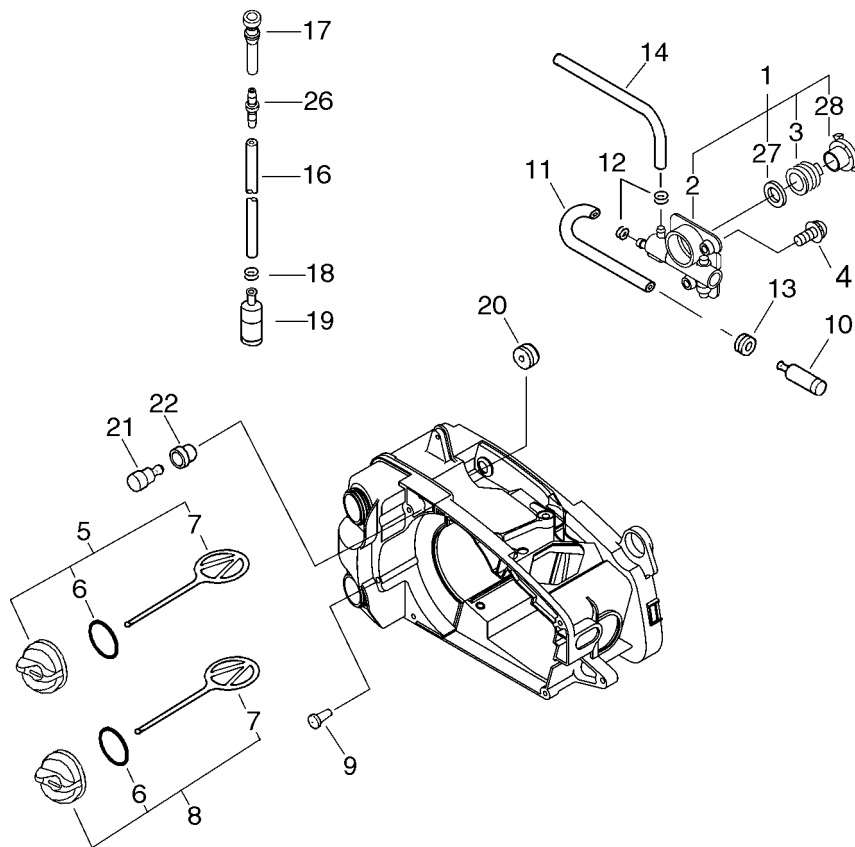
KEY	LV	PART NUMBER	Q'TY	DESCRIPTION	REMARKS
1		P021-009930	1	MUFFLER ASY	
2	+	A300-000370	1	MUFFLER,EXHAUST	
3	+	A303-000041	1	LID,MUFFLER	
4	+	145510-13931	1	GASKET, MUFFLER	
5	+	A301-000000	1	PLATE,MUFFLER	
6	+	91107-05040	2	BOLT HSH FLANGE	
7	+	900250-04008	1	SCREW 4*8	
8		A021-001181	1	CARBURETOR,DIAPHRAGM	
9		A204-000041	1	ELBOW,CARBURETOR	
10		900238-05050	2	SCREW 5*50	
12		A226-000291	1	ELEMENT,AIR FILTER	
13		A232-000160	1	LID,CLEANER	
14		A235-000040	1	KNOB,CLEANER LID	
15		X503-006190	1	LABEL,MODEL	



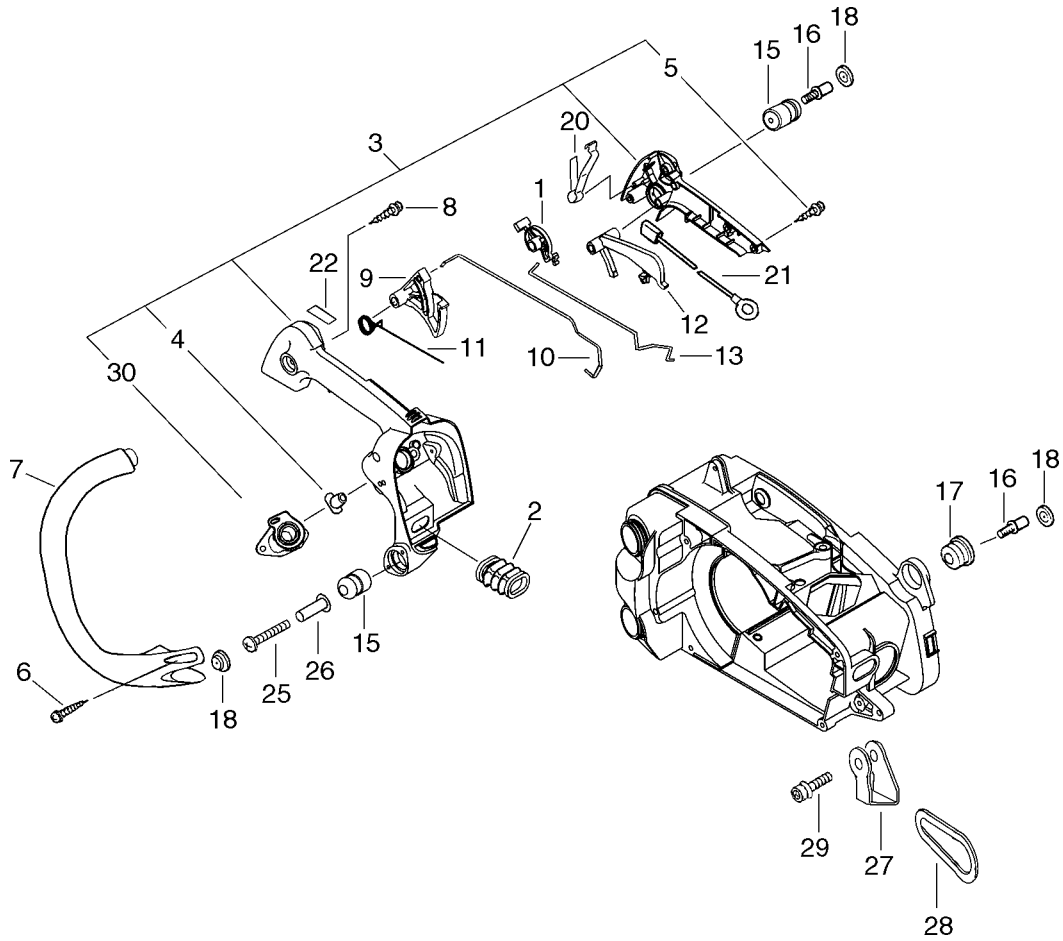
KEY	LV	PART NUMBER	Q'TY	DESCRIPTION	REMARKS
1		A409-000170	1	ROTOR,MAGNETO	
2		900515-00008	1	NUT, FLANGE 8	
3		177234-35430	2	SPRING, RETURN	
4		A514-000020	2	PAWL	
5		177247-04630	2	SPACER, RATCHET	
6		900603-00005	4	WASHER 5	
7		V203-000080	2	BOLT,5	
8		A411-000150	1	COIL,IGNITION	
9		900238-05022	2	SCREW 5*22	
10		150117-16430	2	SPACER	
11		162010-55930	1	LEARD, GROUND	
12		V485-000140	1	LEAD	
13		156110-04920	1	BUSHING	
14		159010-10630	1	PLUG, SPARK (BPM-7A)	
15		A426-000010	1	TERMINAL, SPARKPLUG	
16		A427-000013	1	CAP, SPARK PLUG	
17		V475-002390	2	TUBE	
18		A172-000501	1	COVER,FAN	
20		A051-000792	1	STARTER, RECOIL	
21	+	P022-008771	1	STARTER, RECOIL	
23	+	P022-005891	1	GRIP, STARTER	
24	+	P022-001330	1	SPRING KIT, REWIND	
25	+	P022-008440	1	ROPE, STARTER	
26	+	A506-000030	1	REEL, ROPE	



KEY	LV	PART NUMBER	Q'TY	DESCRIPTION	REMARKS
27		V452-000220	4	SPRING,TORSION	
28		P022-022000	1	CATCHER,PAWL	
29		177236-61830	1	SCREW	
30		900256-04016	4	SCREW 4*16	
31		X502-000101	1	LABEL,ECHO	

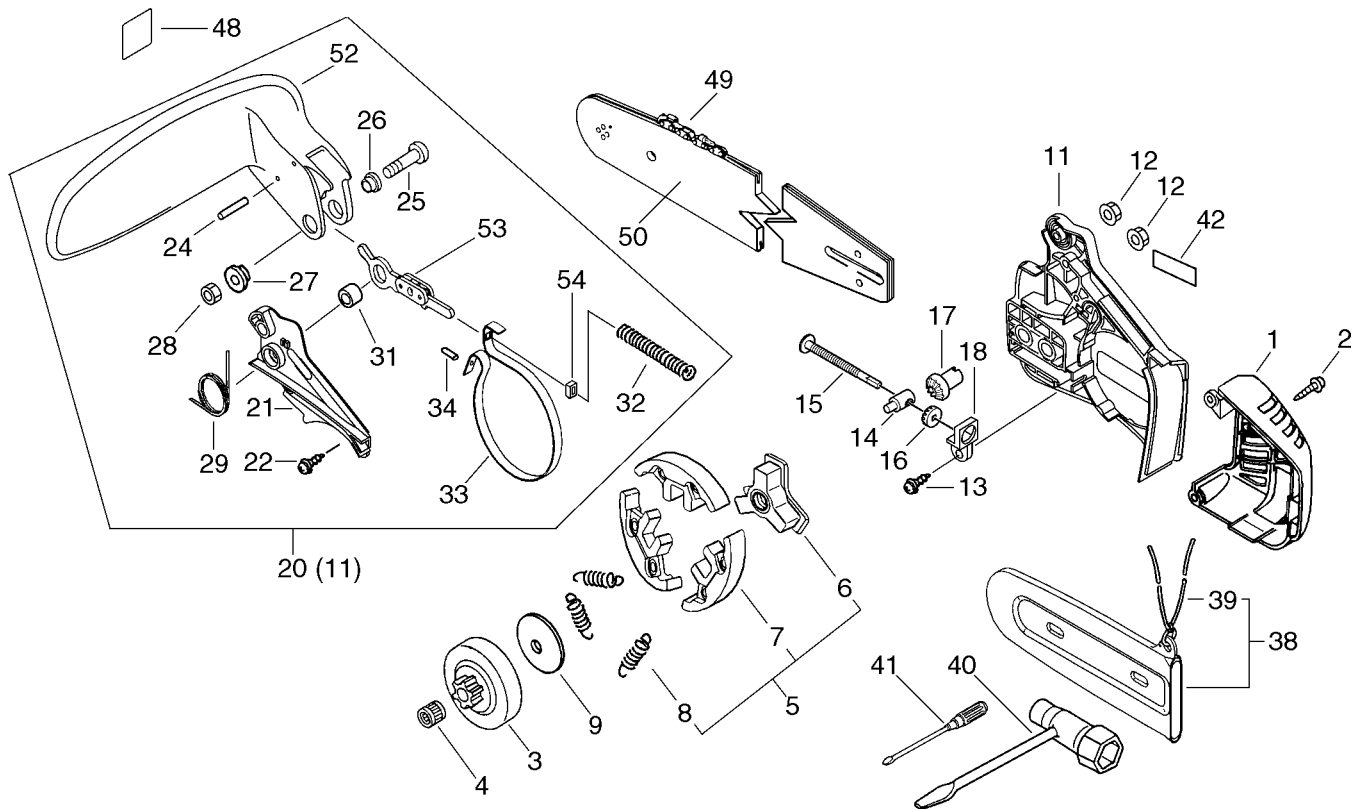


KEY	LV	PART NUMBER	Q'TY	DESCRIPTION	REMARKS
1		P021-001980	1	AUTO-OILER ASY	
2		C022-000020	1	AUTO-OILER ASSEMBLY	
3	+	V652-000030	1	GEAR,WORM	
27	+	V308-000030	1	WASHER,CIRCULAR 11	
28	+	V356-000290	1	COLLAR,10	
4		900238-04012	2	SCREW 4*12	
5		P021-005591	1	FUEL CAP ASY	
6	+	900720-00018	1	O-RING 18	
7	+	A365-000050	1	CONNECTOR,CAP	
8		P021-005581	1	OIL CAP ASY	
6	+	900720-00018	1	O-RING 18	
7	+	A365-000050	1	CONNECTOR,CAP	
9		436114-13930	1	VALVE, CHECK	
10		436205-02832	1	STRAINER, OIL	
11		V471-000740	1	PIPE	
12		132013-26630	2	CLIP	
13		132115-01461	1	GROMMET	
14		V471-000760	1	PIPE	
16		V471-000750	1	PIPE	
17		V470-000320	1	PIPE	
18		132013-09820	1	CLIP	
19		131205-14930	1	STRAINER,FUEL	
20		V137-000020	1	GROMMET,FUEL	
21		131300-56430	1	VALVE, CHECK	
22		V137-000000	1	GROMMET,FUEL	
26		V186-000020	1	JOINT,PIPE	

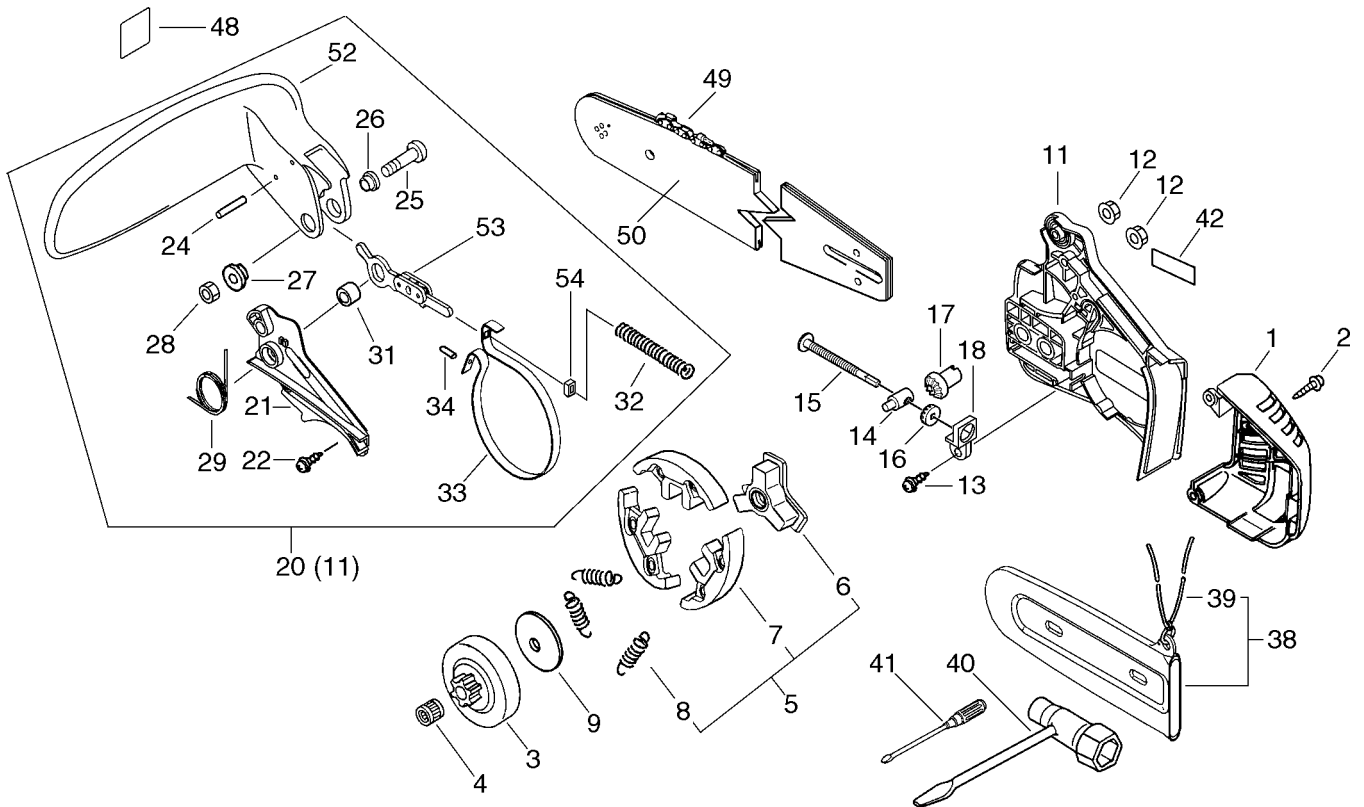


KEY	LV	PART NUMBER	Q'TY	DESCRIPTION	REMARKS
1		A253-000043	1	LEVER,CONTROL	
2		A239-000000	1	PIPE,INTAKE	
3		P021-011510	1	HANDLE, REAR	
30	+	A202-000033	1	BELLOWS,INTAKE	
4	+	130020-33330	2	NUT	
5	+	900256-04016	4	SCREW 4*16	
6		900256-04016	2	SCREW 4*16	
7		C400-000160	1	HANDLE,FRONT	
8		900253-05020	1	SCREW 5*20	
9		C450-000010	1	TRIGGER,THROTTLE	
10		C454-000070	1	ROD,THROTTLE	
11		V452-000010	1	SPRING,TORSION	
12		C460-000002	1	LOCKOUT,THROTTLE	
13		A240-000010	1	ROD,CHOKE	
15		V400-000070	2	CUSHION,4	
16		V202-000000	2	BOLT,4	
17		100910-18830	1	CUSHION	
18		100918-15130	3	CAP	
20		V486-000010	1	TERMINAL,LEAD	
21		V485-000340	1	LEAD	
22		X524-000910	1	LABEL	
25		91481-04035	1	SCREW TAPPING	
26		V352-000020	1	COLLAR,4	
27		C626-000040	1	FIXTURE,HARNESS	
28		C646-000040	1	RING,HARNESS	
29		900162-04025	1	BOLT, H.S. 4*25	

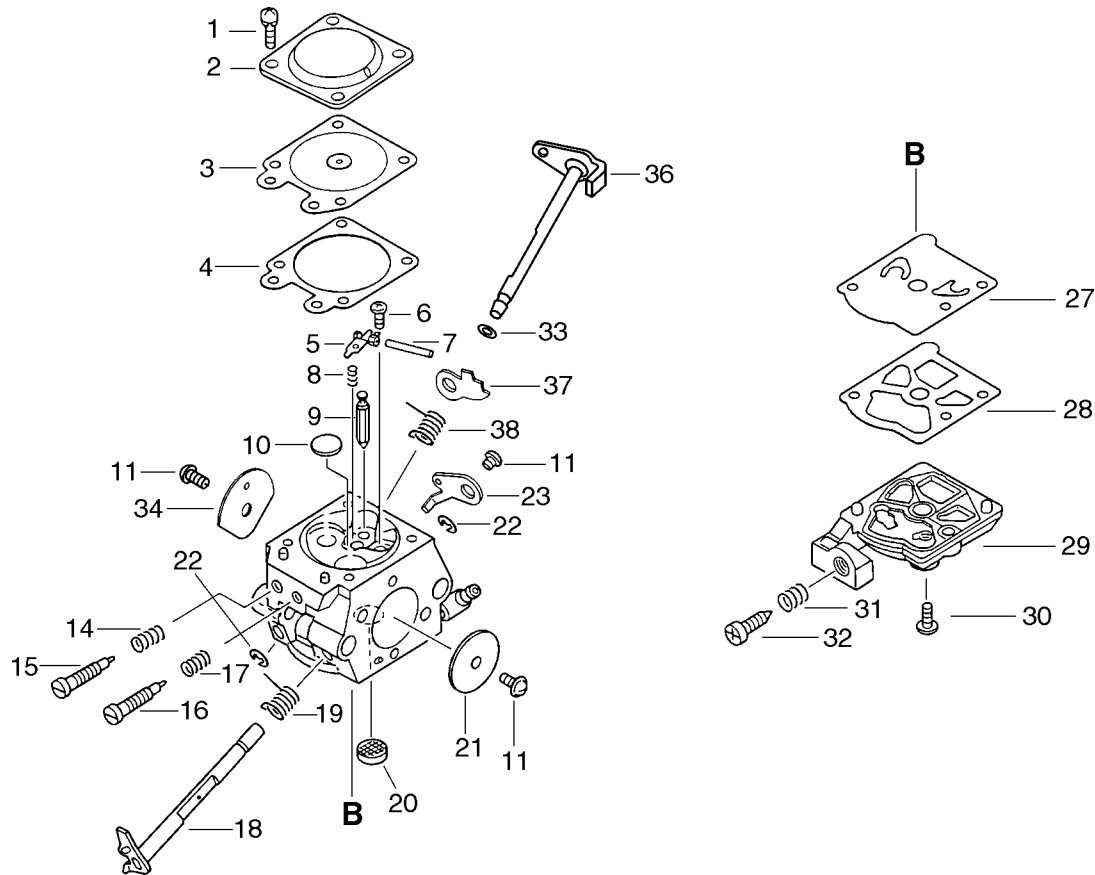




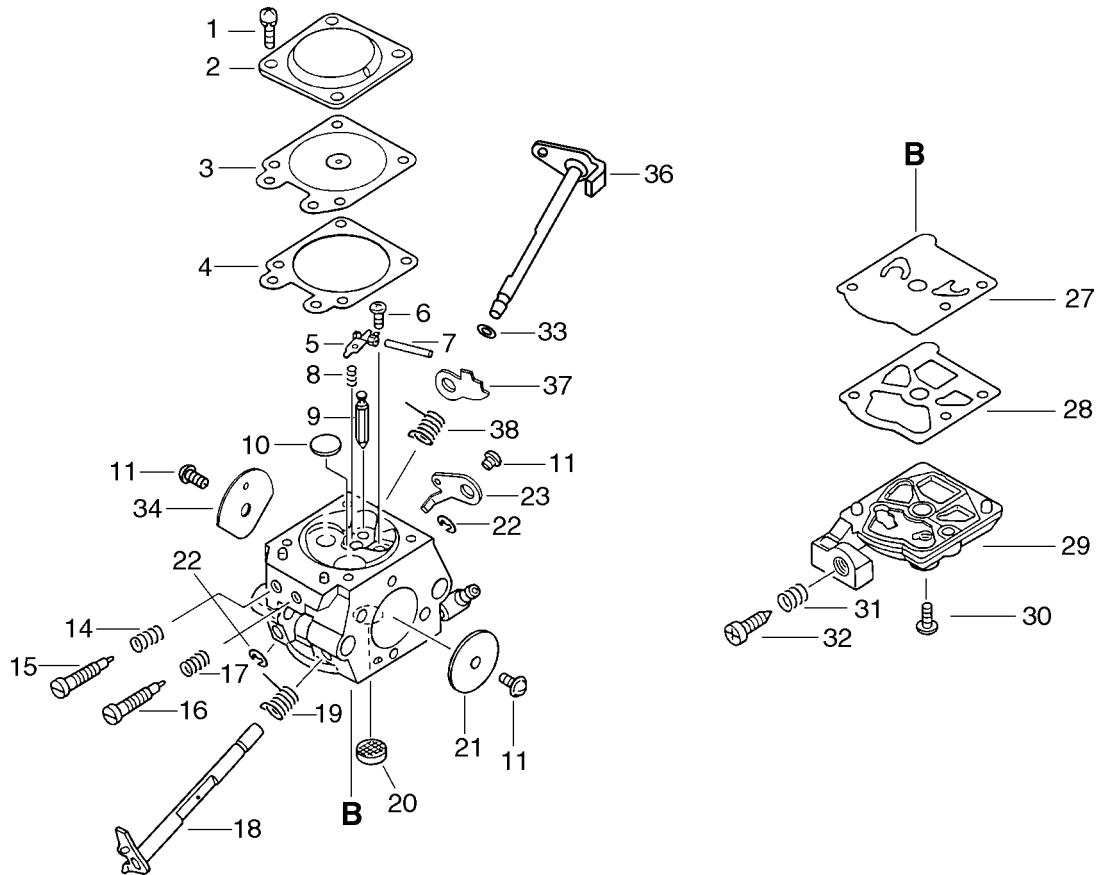
KEY	LV	PART NUMBER	Q'TY	DESCRIPTION	REMARKS
1		A320-000183	1	COVER,MUFFLER	
2		900253-04016	2	SCREW 4*16	
3		175005-39132	1	DRUM, CLUTCH	
4		175012-00831	1	BEARING, NEEDLE	
5		A056-000070	1	CLUTCH	
6	+	A552-000020	1	HUB,CLUTCH	
7	+	P021-005810	1	CLUTCH SHOE SET	
8	+	V451-000470	3	SPRING,TENSION	
9		A551-000010	1	PLATE,CLUTCH	
12		433019-03933	2	NUT, FLANGE 6	
13		900253-04012	1	SCREW	
14		C309-000030	1	TENSIONER,CHAIN	
15		V203-000041	1	BOLT,5	
16		V651-000011	1	GEAR,BEVEL	
17		V651-000001	1	GEAR,BEVEL	
18		V355-000140	1	COLLAR,8	
20		C032-000205	1	BRAKE,ASM CHAIN	
11	+	C300-000242	1	GUARD,SPROCKET	
21	+	C345-000084	1	COVER,BRAKE	
22	+	900253-04012	3	SCREW	
24	+	900330-30260	2	ROLLER 3*26	
25	+	91318-05032	1	SCREW	
26	+	433167-39130	1	SPACER	
27	+	V353-000060	1	COLLAR,5	



KEY	LV	PART NUMBER	Q'TY	DESCRIPTION	REMARKS
28	+	900562-50005	1	LOCKNUT 5	
29	+	V452-000110	1	SPRING,TORSION	
31	+	433116-35430	1	SPACER 8	
32	+	V450-000070	1	SPRING,COMPRESSION	
33	+	C328-000030	1	BAND,BRAKE	
34	+	93050-30098	1	ROLLER	
52	+	C320-000033	1	LÉVER,BRAKE	
53	+	C334-000070	1	CONNECTOR,BRAKE	
54	+	V376-000450	1	SPACER	
38		P021-006951	1	SCABBARD,CHAIN	
39	+	898568-14530	1	ROPE	
40		895410-03930	1	WRENCH, W/S. DRIVER	
41		895812-03930	1	DRIVER, SCREW 50	
42		X502-000340	1	LABEL,ECHO	
48		X505-002440	1	LABEL,CAUTION	



KEY	LV	PART NUMBER	Q'TY	DESCRIPTION	REMARKS
		A021-001181	1	CARBURETOR,DIAPHRAGM	
1	+	123130-02960	4	SCREW	
2	+	123142-03930	1	COVER, M. DIAPHRAGM	
3	+	123141-03930	1	DIAPHRAGM, METERING	
4	+	123140-27230	1	GASKET,M. DIAPHRAGM	
5	+	123123-03930	1	LEVER, METERING	
6	+	123139-03930	1	SCREW, M. LEVER PIN	
7	+	123138-03930	1	PIN, METERING LEVER	
8	+	123122-39830	1	SPRING, METER. LEVER	
9	+	123137-19830	1	VALVE, INLET NEEDLE	
10	+	123146-10631	1	PLUG, WELCH	
11	+	123114-38830	3	SCREW	
14	+	123119-22130	1	SPRING, NEEDLE	
15	+	P003-001340	1	NEEDLE POWER	
16	+	P003-001330	1	NEEDLE IDLE	
17	+	123121-22130	1	SPRING, NEEDLE	
18	+	P003-000480	1	SHAFT,THROTTLE	
19	+	123113-37530	1	SPRING, THROTTLE RTN	
20	+	123126-10631	1	SCREEN, INLET	
21	+	123116-10530	1	VALVE, THROTTLE	
22	+	123127-15030	2	RING	
23	+	P003-000380	1	THROTTLE, LEVER	
27	+	123112-15030	1	DIAPHRAGM, FUEL PUMP	
28	+	123125-15030	1	GASKET, FUEL PUMP	



KEY	LV	PART NUMBER	Q'TY	DESCRIPTION	REMARKS
29	+	123124-24430	1	COVER, FUEL PUMP	
30	+	123110-03930	1	SCREW, PUMP COVER	
31	+	123133-04260	1	SPRING, IDLE ADJUST	
32	+	123134-04260	1	SCREW, IDLE ADJUST	
33	+	123149-26030	1	WASHER	
34	+	123132-35430	1	VALVE, CHOKE	
36	+	P003-001140	1	SHAFT, CHOKE	
37	+	P003-001510	1	LEVER-FAST IDLE	
38	+	P003-001470	1	SPRING	

**Index**

<b>Parts Number</b>	<b>Key No.</b>	<b>Parts Number</b>	<b>Key No.</b>	<b>Parts Number</b>	<b>Key No.</b>
A021-001181	2 - 8	P003-001470	7 - 38	V651-000011	6 - 16
A021-001181	7 -	P003-001510	7 - 37	V652-000030	4 - 3
A051-000792	3 - 20	P021-001980	4 - 1	X502-000101	3 - 31
A056-000070	6 - 5	P021-005581	4 - 8	X502-000340	6 - 42
A101-000120	1 - 4	P021-005591	4 - 5	X503-006190	2 - 15
A127-000050	1 - 20	P021-005810	6 - 7	X505-002440	6 - 48
A172-000501	3 - 18	P021-006951	6 - 38	X524-000910	5 - 22
A202-000033	5 - 30	P021-008676	1 - 23	100013-15330	1 - 5
A204-000041	2 - 9	P021-009230	1 - 3	100014-60930	1 - 7
A226-000291	2 - 12	P021-009250	1 - 1	100015-04630	1 - 6
A232-000160	2 - 13	P021-009930	2 - 1	100142-12330	1 - 30
A235-000040	2 - 14	P021-010701	1 - 9	100910-18830	5 - 17
A239-000000	5 - 2	P021-011510	5 - 3	100918-15130	5 - 18
A240-000010	5 - 13	P022-001330	3 - 24	123110-03930	7 - 30
A253-000043	5 - 1	P022-005891	3 - 23	123112-15030	7 - 27
A300-000370	2 - 2	P022-008440	3 - 25	123113-37530	7 - 19
A301-000000	2 - 5	P022-008771	3 - 21	123114-38830	7 - 11
A303-000041	2 - 3	P022-022000	3 - 28	123116-10530	7 - 21
A320-000183	6 - 1	V137-000000	4 - 22	123119-22130	7 - 14
A365-000050	4 - 7	V137-000020	4 - 20	123121-22130	7 - 17
A409-000170	3 - 1	V186-000020	4 - 26	123122-39830	7 - 8
A411-000150	3 - 8	V202-000000	5 - 16	123123-03930	7 - 5
A426-000010	3 - 15	V203-000041	6 - 15	123124-24430	7 - 29
A427-000013	3 - 16	V203-000080	3 - 7	123125-15030	7 - 28
A506-000030	3 - 26	V308-000030	4 - 27	123126-10631	7 - 20
A514-000020	3 - 4	V352-000020	5 - 26	123127-15030	7 - 22
A551-000010	6 - 9	V353-000060	6 - 27	123130-02960	7 - 1
A552-000020	6 - 6	V355-000140	6 - 18	123132-35430	7 - 34
C022-000020	4 - 2	V356-000290	4 - 28	123133-04260	7 - 31
C032-000205	6 - 20	V359-000060	1 - 32	123134-04260	7 - 32
C300-000242	6 - 11	V376-000450	6 - 54	123137-19830	7 - 9
C304-000000	1 - 27	V400-000070	5 - 15	123138-03930	7 - 7
C305-000080	1 - 15	V450-000070	6 - 32	123139-03930	7 - 6
C309-000030	6 - 14	V451-000470	6 - 8	123140-27230	7 - 4
C320-000033	6 - 52	V452-000010	5 - 11	123141-03930	7 - 3
C328-000030	6 - 33	V452-000110	6 - 29	123142-03930	7 - 2
C334-000070	6 - 53	V452-000220	3 - 27	123146-10631	7 - 10
C345-000084	6 - 21	V470-000320	4 - 17	123149-26030	7 - 33
C400-000160	5 - 7	V470-000481	1 - 35	130020-33330	5 - 4
C450-000010	5 - 9	V471-000740	4 - 11	131205-14930	4 - 19
C454-000070	5 - 10	V471-000750	4 - 16	131300-56430	4 - 21
C460-000002	5 - 12	V471-000760	4 - 14	132013-09820	4 - 18
C626-000040	5 - 27	V475-002390	3 - 17	132013-26630	4 - 12
C646-000040	5 - 28	V485-000140	3 - 12	132115-01461	4 - 13
P003-000380	7 - 23	V485-000340	5 - 21	145510-13931	2 - 4
P003-000480	7 - 18	V486-000010	5 - 20	150117-16430	3 - 10
P003-001140	7 - 36	V505-000010	1 - 11	156110-04920	3 - 13
P003-001330	7 - 16	V553-000040	1 - 8	159010-10630	3 - 14
P003-001340	7 - 15	V651-000001	6 - 17	162010-55930	3 - 11

**Index**

<b>Parts Number</b>	<b>Key No.</b>	<b>Parts Number</b>	<b>Key No.</b>	<b>Parts Number</b>	<b>Key No.</b>
163911-30130	1 - 22				
175005-39132	6 - 3				
175012-00831	6 - 4				
177234-35430	3 - 3				
177236-61830	3 - 29				
177247-04630	3 - 5				
433011-03931	1 - 17				
433019-03933	6 - 12				
433026-35430	1 - 36				
433116-35430	6 - 31				
433167-39130	6 - 26				
436114-13930	4 - 9				
436205-02832	4 - 10				
895410-03930	6 - 40				
895812-03930	6 - 41				
898568-14530	6 - 39				
900106-05020	1 - 19				
900106-05030	1 - 24				
900162-04025	5 - 29				
900162-05025	1 - 2				
900238-04012	4 - 4				
900238-05022	3 - 9				
900238-05050	2 - 10				
900250-04008	2 - 7				
900253-04010	1 - 18				
900253-04012	1 - 21				
900253-04012	6 - 13				
900253-04012	6 - 22				
900253-04016	6 - 2				
900253-05020	1 - 26				
900253-05020	1 - 28				
900253-05020	5 - 8				
900256-04016	3 - 30				
900256-04016	5 - 5				
900256-04016	5 - 6				
900330-30260	6 - 24				
900515-00008	3 - 2				
900562-50005	6 - 28				
900603-00005	3 - 6				
900720-00018	4 - 6				
900724-00004	1 - 25				
91107-05040	2 - 6				
91318-05032	6 - 25				
91420-05012	1 - 34				
91481-04035	5 - 25				
93050-30098	6 - 34				
94035-36201	1 - 10				





# KIORITZ CORPORATION

7-2 SUEHIROCHO 1-CHOME, OHME, TOKYO 198-8711, JAPAN  
PHONE: 81-428-32-6118. FAX: 81-428-32-6145.

**ECHO**<sup>®</sup>

200708 No.64-205(641375)